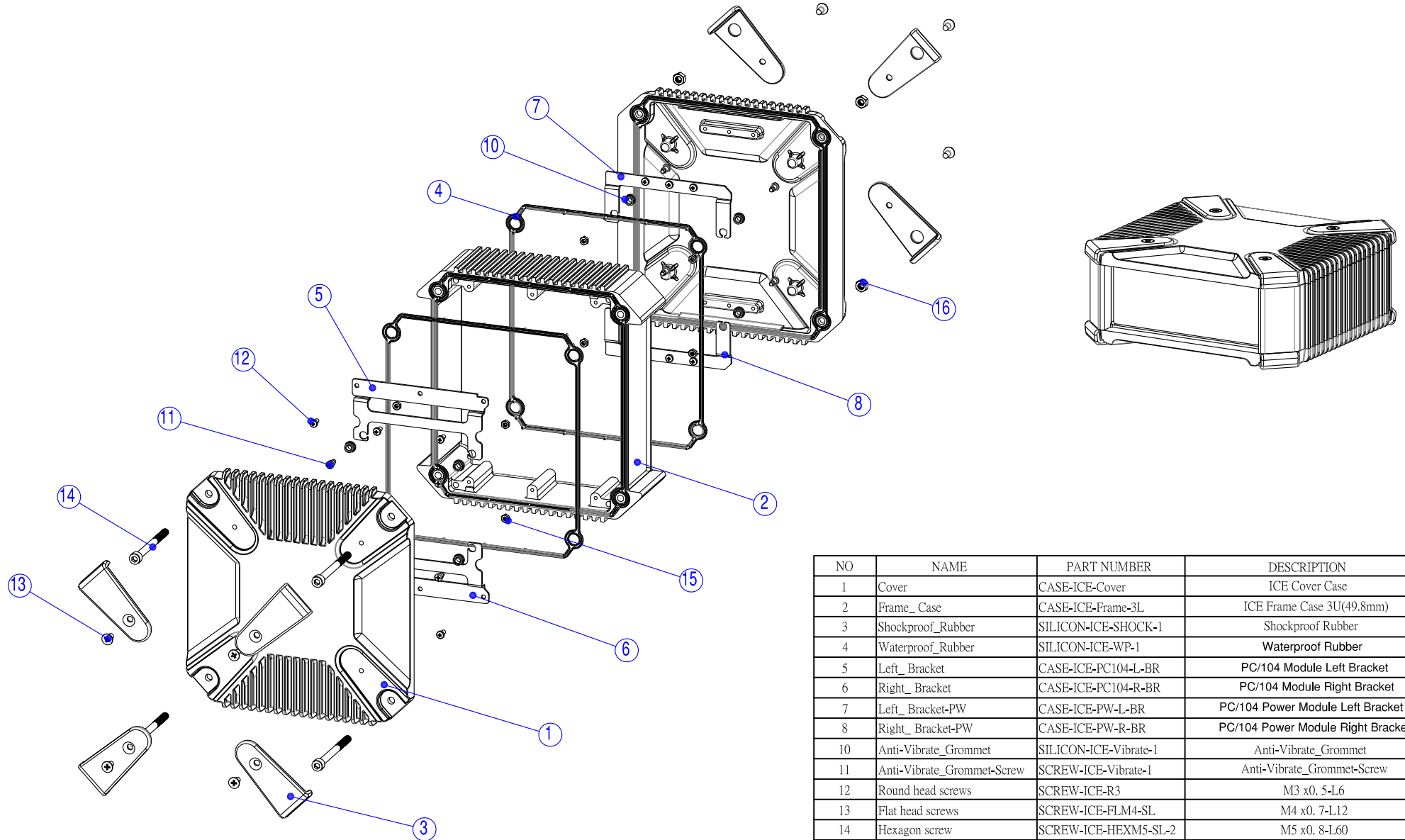


Internal Release Dedicated



NO	NAME	PART NUMBER	DESCRIPTION	QTY
1	Cover	CASE-ICE-Cover	ICE Cover Case	2
2	Frame_Case	CASE-ICE-Frame-3L	ICE Frame Case 3U(49.8mm)	1
3	Shockproof_Rubber	SILICON-ICE-SHOCK-1	Shockproof Rubber	8
4	Waterproof_Rubber	SILICON-ICE-WP-1	Waterproof Rubber	2
5	Left_Bracket	CASE-ICE-PC104-L-BR	PC/104 Module Left Bracket	1
6	Right_Bracket	CASE-ICE-PC104-R-BR	PC/104 Module Right Bracket	1
7	Left_Bracket-PW	CASE-ICE-PW-L-BR	PC/104 Power Module Left Bracket	1
8	Right_Bracket-PW	CASE-ICE-PW-R-BR	PC/104 Power Module Right Bracket	1
10	Anti-Vibrate_Grommet	SILICON-ICE-Vibrate-1	Anti-Vibrate_Grommet	8
11	Anti-Vibrate_Grommet-Screw	SCREW-ICE-Vibrate-1	Anti-Vibrate_Grommet-Screw	8
12	Round head screws	SCREW-ICE-R3	M3 x0. 5-L6	12
13	Flat head screws	SCREW-ICE-FLM4-SL	M4 x0. 7-L12	8
14	Hexagon screw	SCREW-ICE-HEXM5-SL-2	M5 x0. 8-L60	4
15	Nut	SCREW-ICE-NUT-M3	JIS B 1181 Hexagon nut - Class 2 Finished M3	8
16	Nut	SCREW-ICE-NUT-M5-SL	JIS B 1181 Hexagon nut - Class 2 Finished M5	4